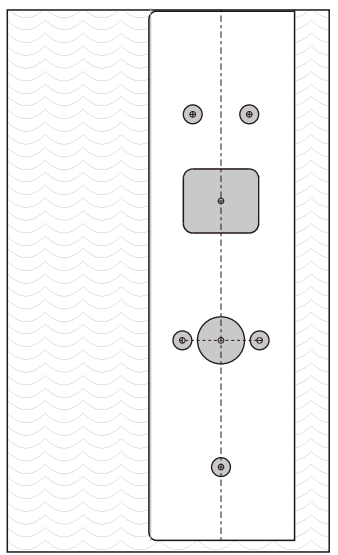
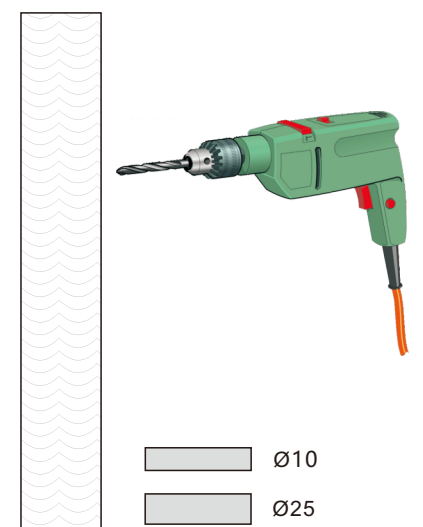


1 Open the Holes

1. Mark the holes' position on the door.

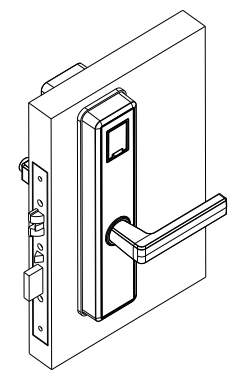


2. Choose corresponding drill to open the holes



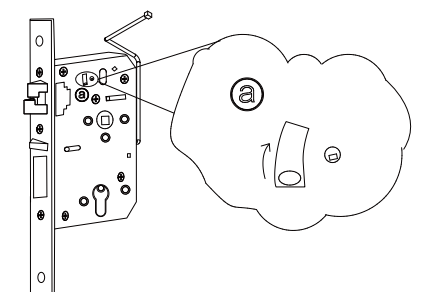
2 Determine the Direction of Triangle Latch

When lock is inward opening, direction of the triangle latch as below:



The mortise is non-handled, if you need to change the direction, please adjust the direction of the triangle latch before install mortise, details as follows:

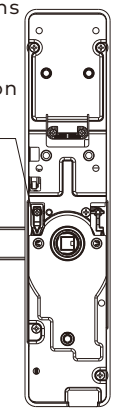
- (1) Push the handling change switch as shown in the arrow;
- (2) Press down the triangle latch, make it retracted back to mortise panel;
- (3) Rotate for 180 degrees and the triangle latch ejects;
- (4) Push the handling change switch to home position.



3 Determine direction of handles

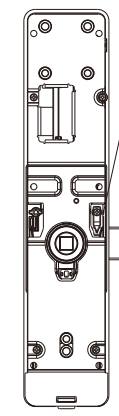
Notes: please always ensure that the switch block and the handle are located at the same side.

Remove the part, exchange the positions and rotate handles to the direction you want.



Front lock body

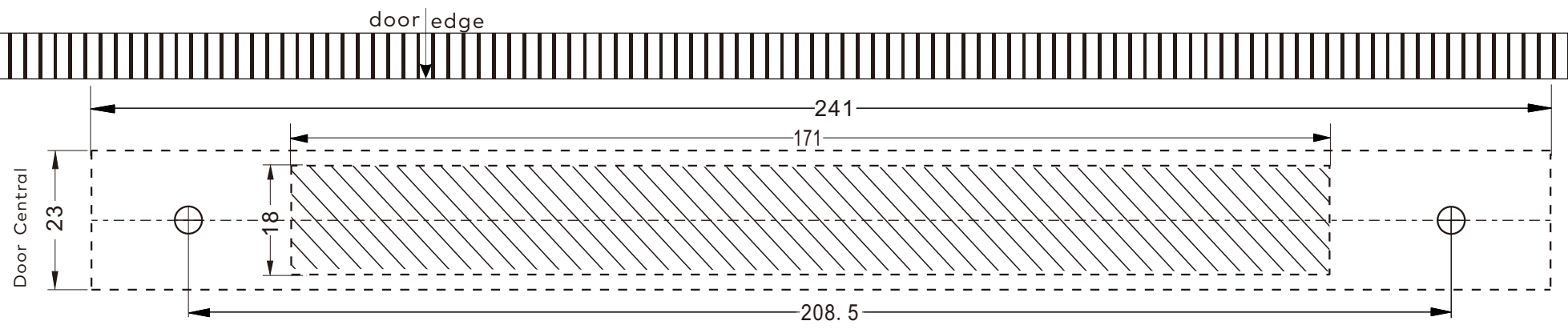
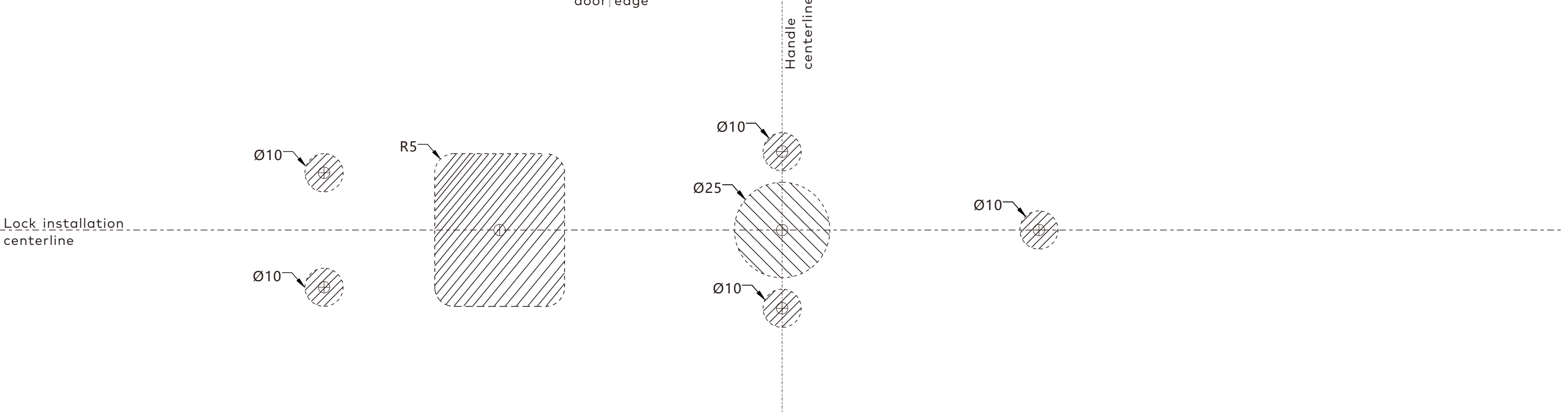
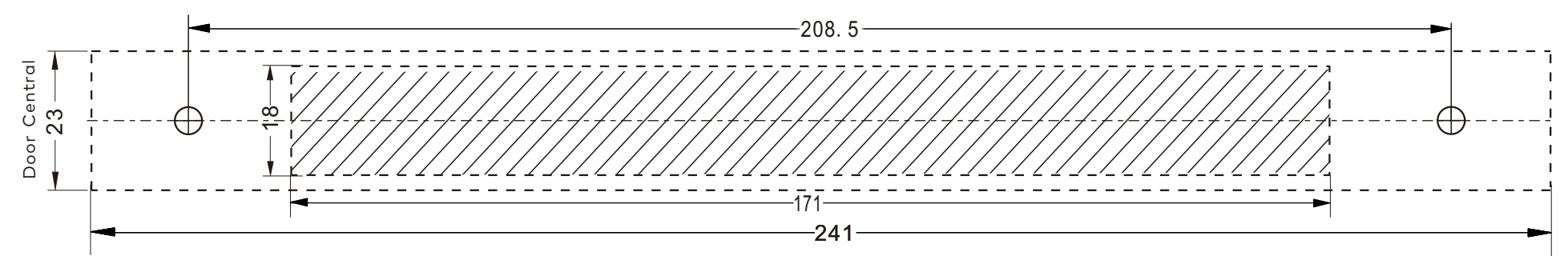
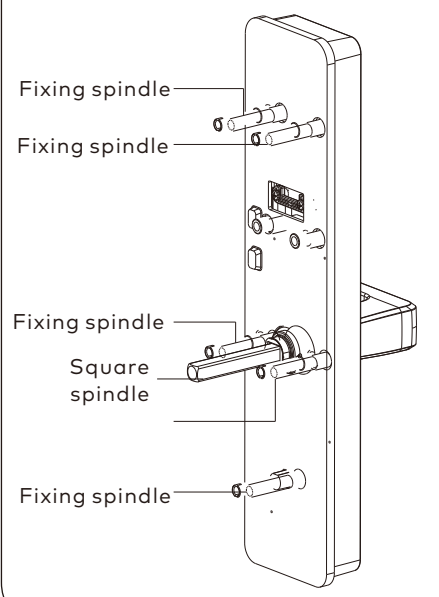
Remove the part, exchange the positions and rotate handles to the direction you want.



Rear lock body

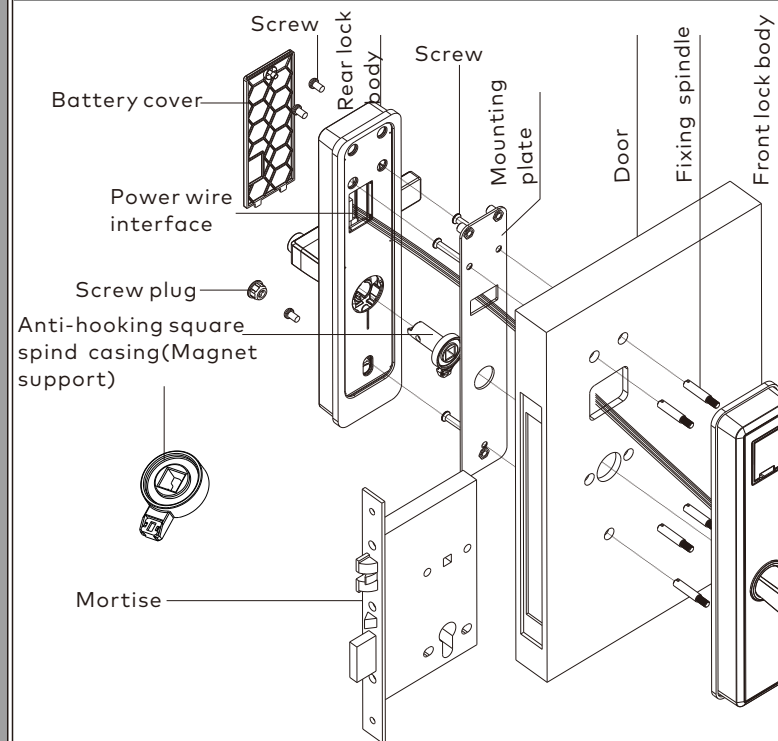
4 Accessories

Please choose spindles and screws per actual door thickness.



Unit	mm	Scale	1:1
Backset:	70mm		204040082

5 Exploded View Drawing



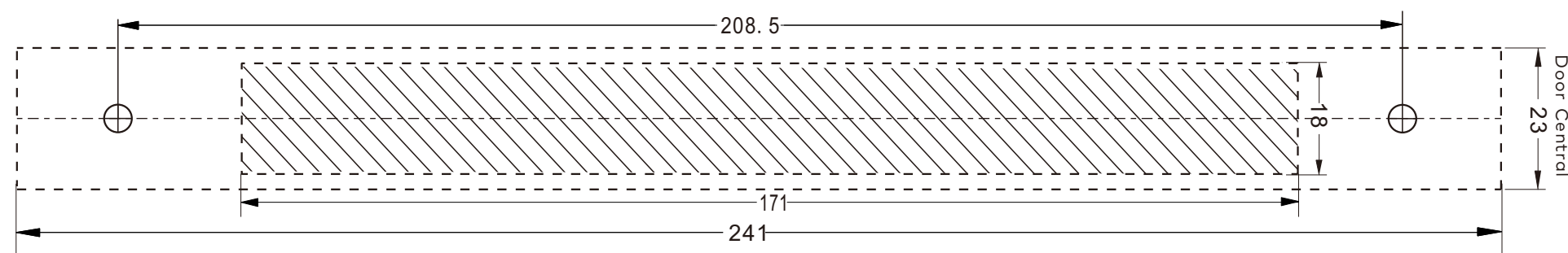
- ① Insert the mortise into the mortise cavity, while guiding the power line through the upper main hold to the outside of the door. Secure the mortise case with the case mounting screws
- ② Line up all the guiding screws and slide the exterior lock body into place, gently feeding the cable through the upper main hold in the door, making sure the exterior lock fits flush against the door. Then insert the spindle through the mortise.
- ③ Connect the cable of exterior lock body with the interior lock assembly. Insert batteries and put back the battery cover.
- ④ Install strike box and strike plate on the door frame, making sure the mortise bolts to be centered in the strike

Installation Precaution

1. Please check your door thickness before installation as the application door thickness of this lock is 35-100mm.
2. Please gently feeding the cable to prevent any damaging and malfunction.
3. Please do not leave any wood chips or other foreign matters in the lock or mortise to prevent malfunction of the lock.
4. Please gently handle the lock during installation to protect the surface from scratches.
5. Please test the lock per the users' manual after installation until it works normally.

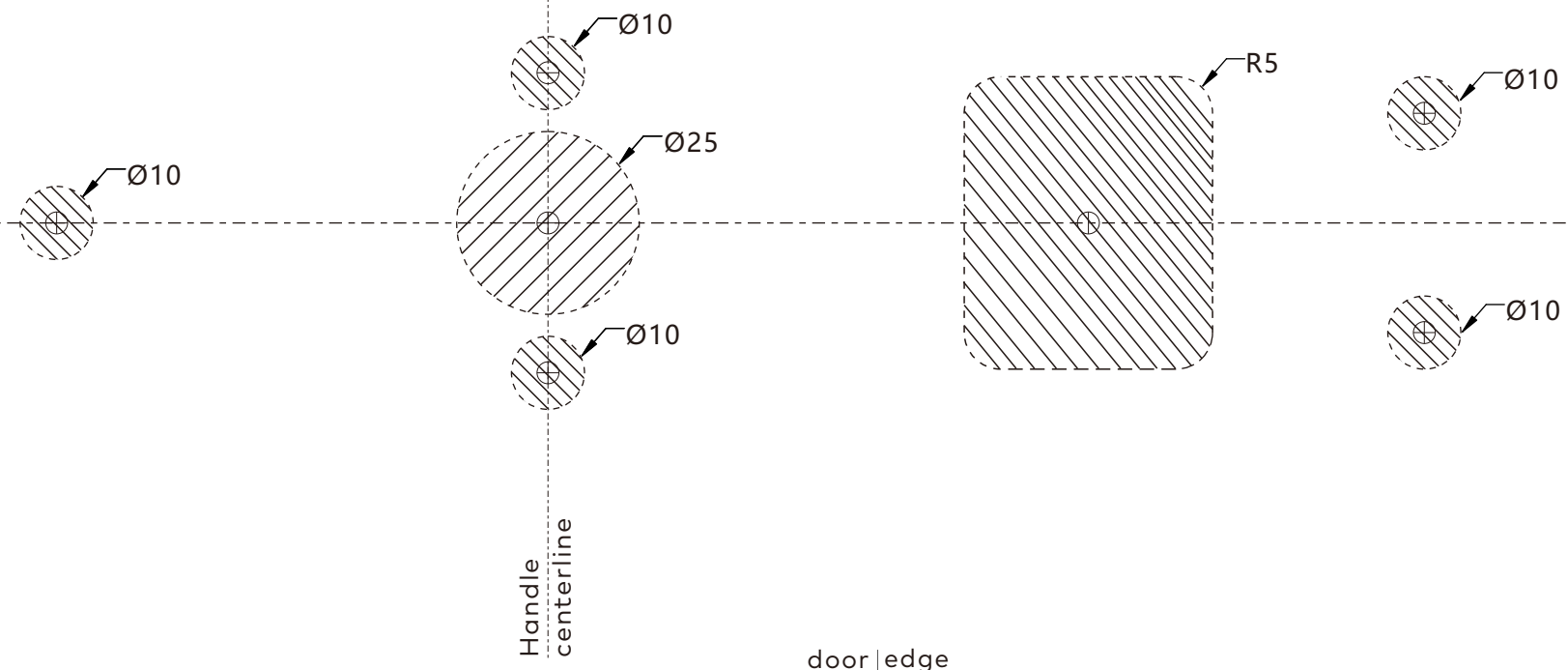
Installation Tools

- Tools used during installation:
- Measuring tape
 - Pencil
 - Drill
 - Hammer
 - Chisel
 - Cutter
 - Screwdriver
 - Cutting machine
 - Drill Ø10
 - Drill Ø25
- Notes: Pictures in this installation template are for reference only.



door edge

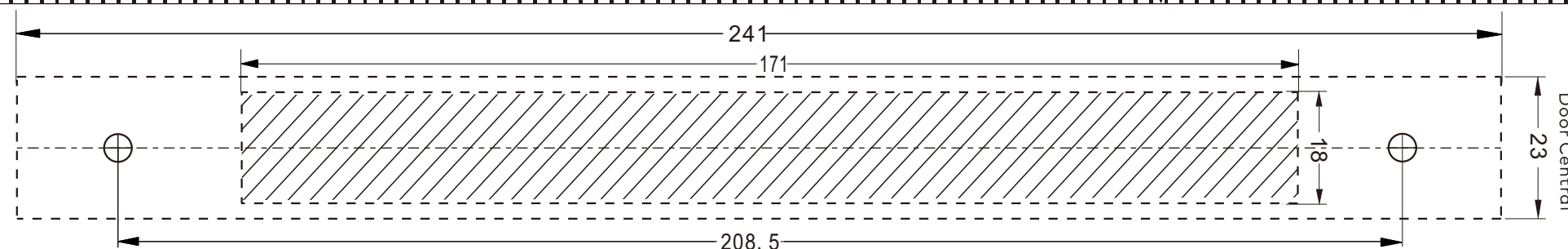
Unit	mm	Scale	1:1
	Backset: 70mm		
			204040082



Lock installation centerline

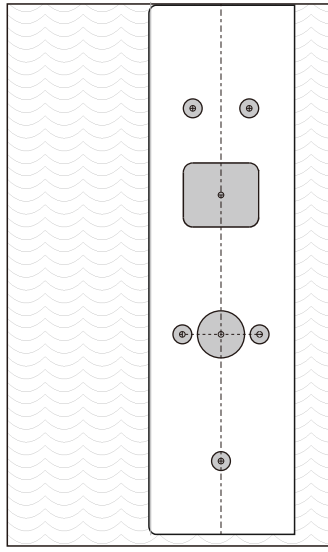
Handle centerline

door edge

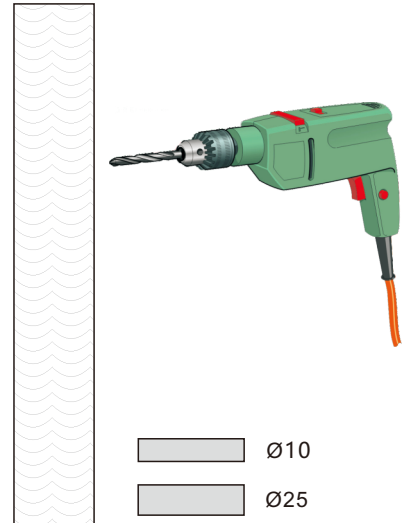


1 Open the Holes

1. Mark the holes' position on the door.

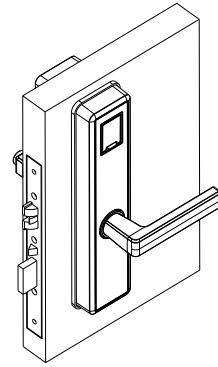


2. Choose corresponding drill to open the holes



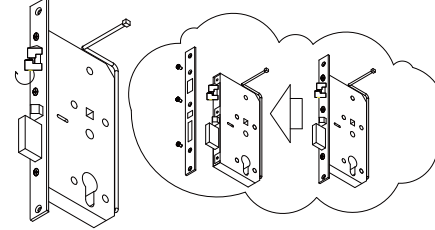
2 Determine the Direction of Triangle Latch

When lock is inward opening, direction of the triangle latch as below:



The mortise is non-handled, if you need to change the direction, please adjust the direction of the triangle latch before install mortise, details as follows:

- (1) As shown in the figure, remove the lateral board;
- (2) The latch bolt is rotated for 180 degrees;
- (3) The lateral board is fixed.

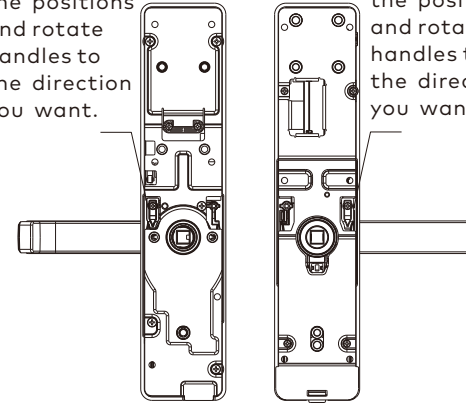


3 Determine direction of handles

Notes: please always ensure that the switch block and the handle are located at the same side.

Remove the part, exchange the positions and rotate handles to the direction you want.

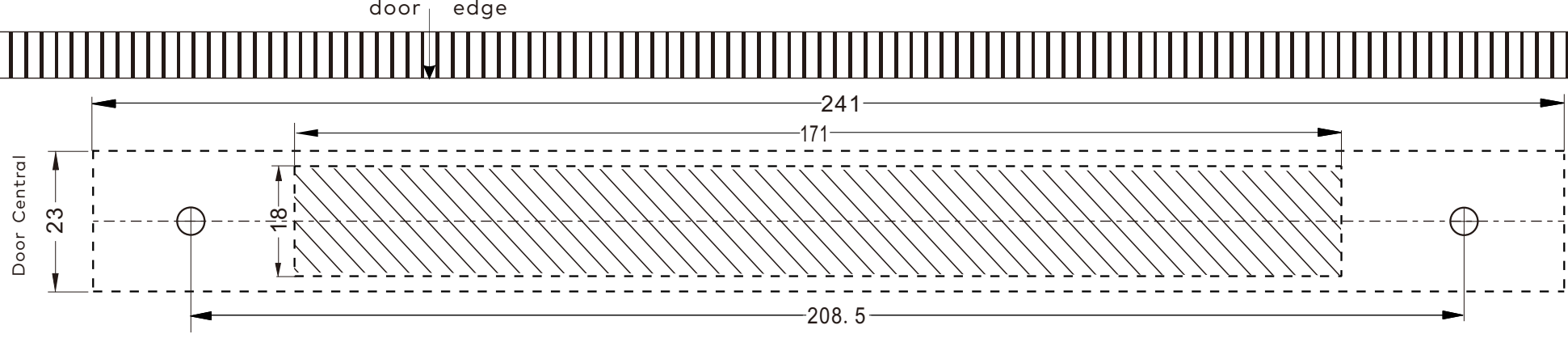
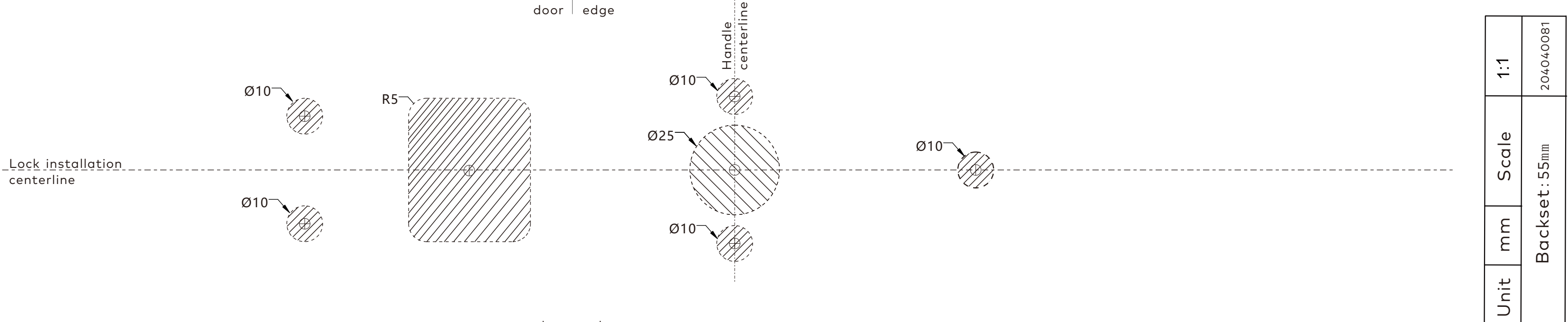
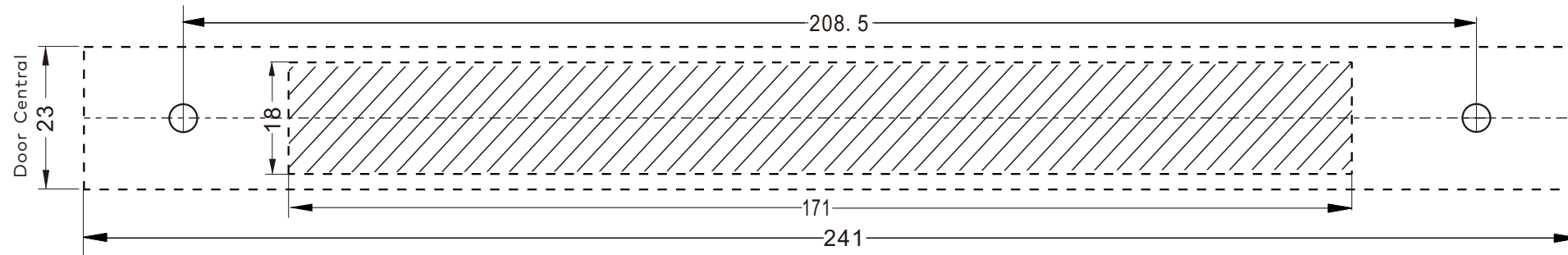
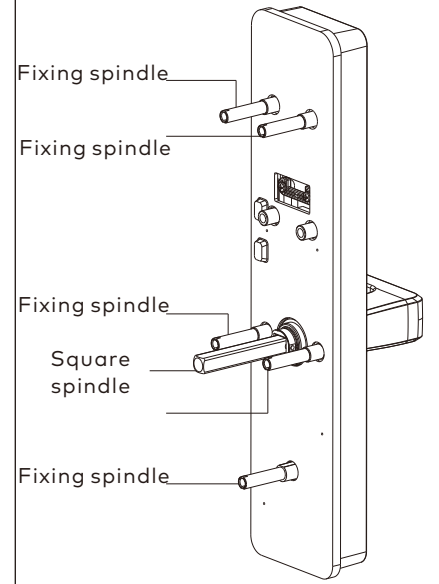
Remove the part, exchange the positions and rotate handles to the direction you want.



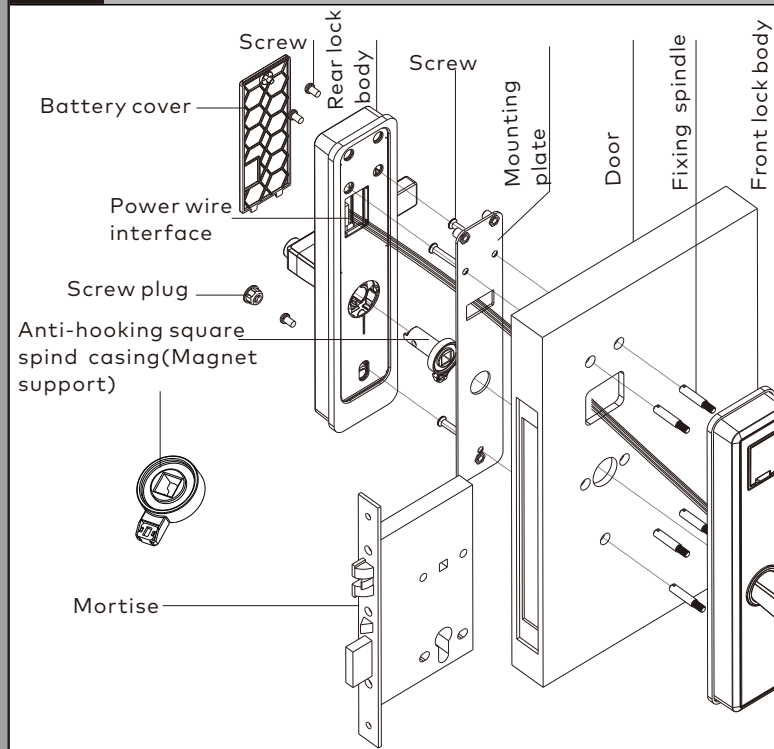
Front face Rear lock face

4 Accessories

Please choose spindles and screws per actual door thickness.



Unit	mm	Scale	1:1
		Backset	55mm
			204040081



- ① Insert the mortise into the mortise cavity, while guiding the power line through the upper main hold to the outside of the door. Secure the mortise case with the case mounting screws
- ② Line up all the guiding screws and slide the exterior lock body into place, gently feeding the cable through the upper main hold in the door, making sure the exterior lock fits flush against the door. Then insert the spindle through the mortise.
- ③ Connect the cable of exterior lock body with the interior lock assembly. Insert batteries and put back the battery cover.
- ④ Install strike box and strike plate on the door frame, making sure the mortise bolts to be centered in the strike

Installation Precaution

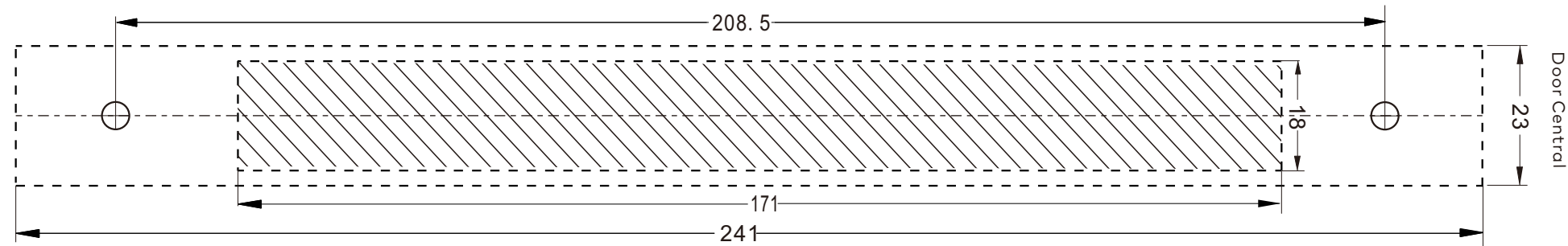
1. Please check your door thickness before installation as the application door thickness of this lock is 35-100mm.
2. Please gently feeding the cable to prevent any damaging and malfunction.
3. Please do not leave any wood chips or other foreign matters in the lock or mortise to prevent malfunction of the lock.
4. Please gently handle the lock during installation to protect the surface from scratches.
5. Please test the lock per the users' manual after installation until it works normally.

Installation Tools

Tools used during installation:

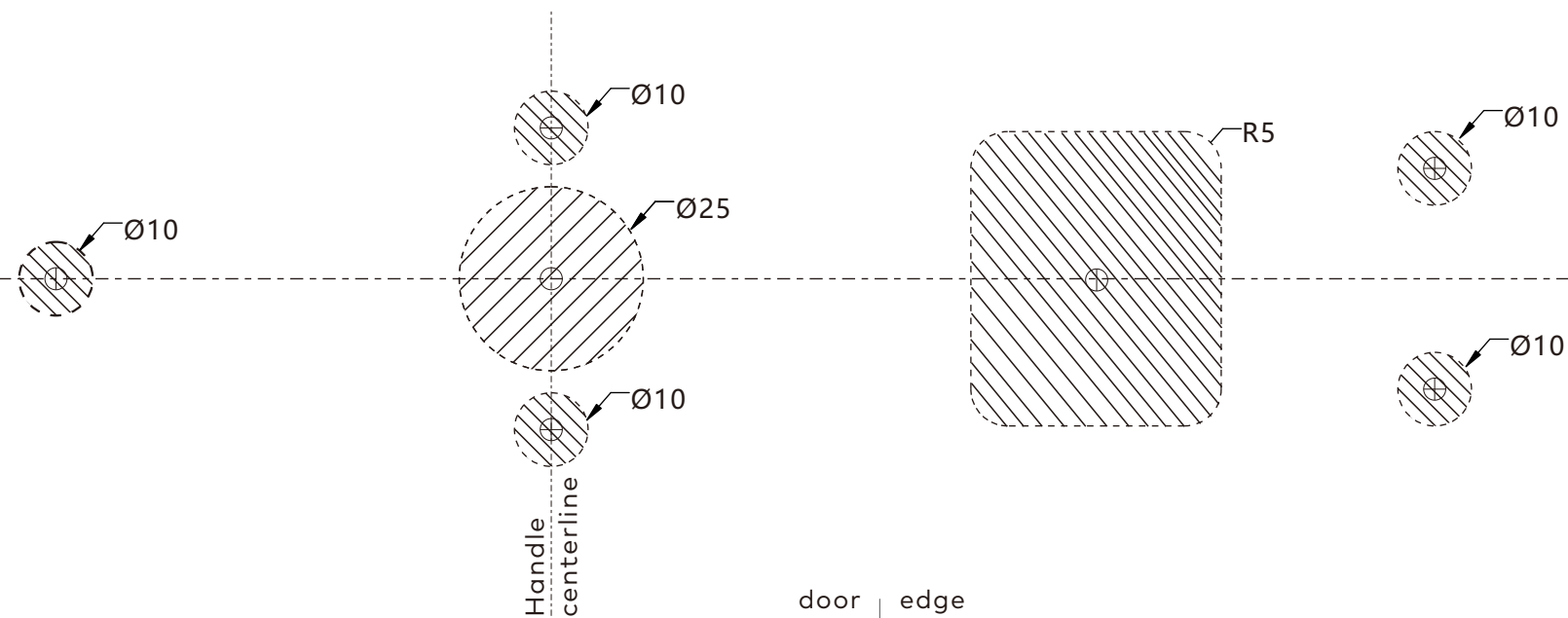
- Measuring tape
- Pencil
- Drill
- Hammer
- Chisel
- Cutter
- Screwdriver
- Cutting machine
- Drill Ø10
- Drill Ø25

Notes: Pictures in this installation template are for reference only.

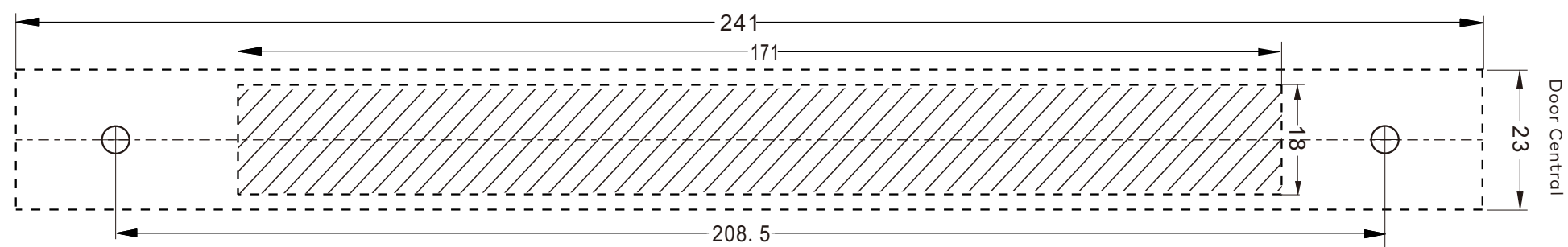


door edge

Unit	mm	Scale	1:1
Backset: 55mm			
204040081			

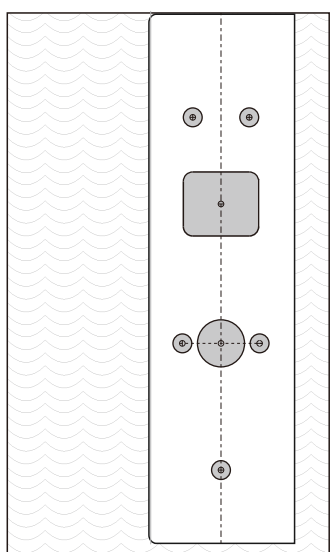


door edge

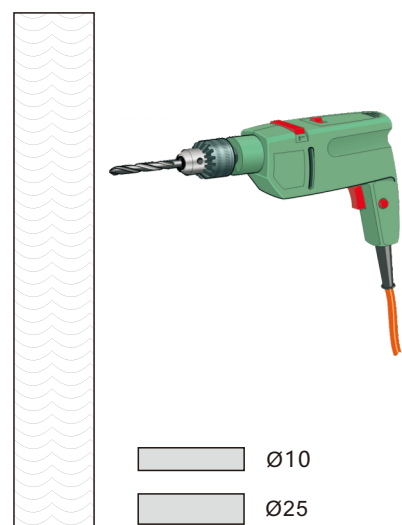


1 Open the Holes

1. Mark the holes' position on the door.

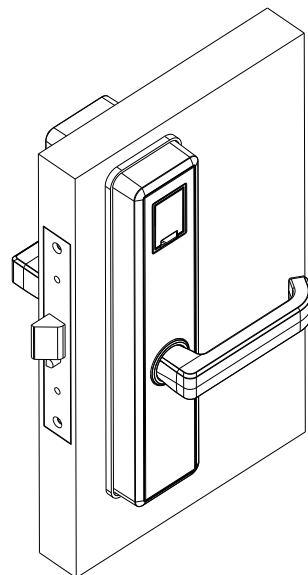


2. Choose corresponding drill to open the holes



2 Determine the Direction of Triangle Latch

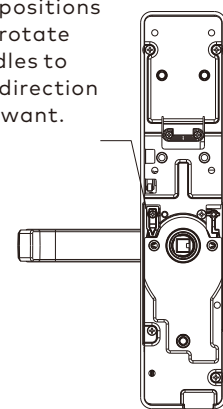
When lock is inward opening, direction of the triangle latch as below:



3 Determine direction of handles

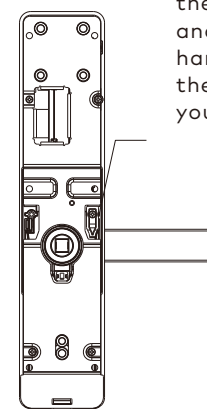
Notes: please always ensure that the switch block and the handle are located at the same side.

Remove the part, exchange the positions and rotate handles to the direction you want.



Front face

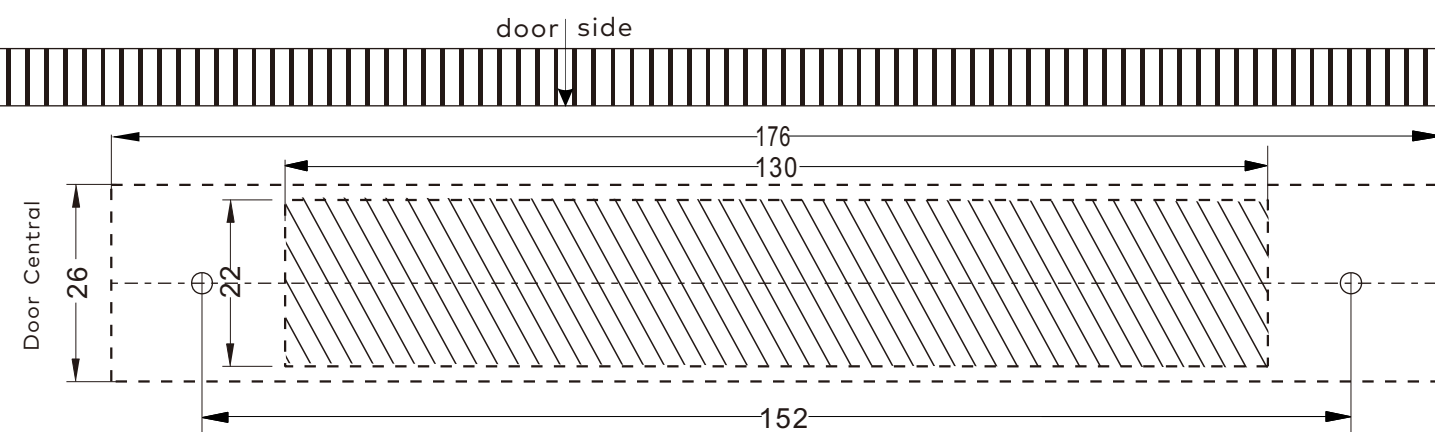
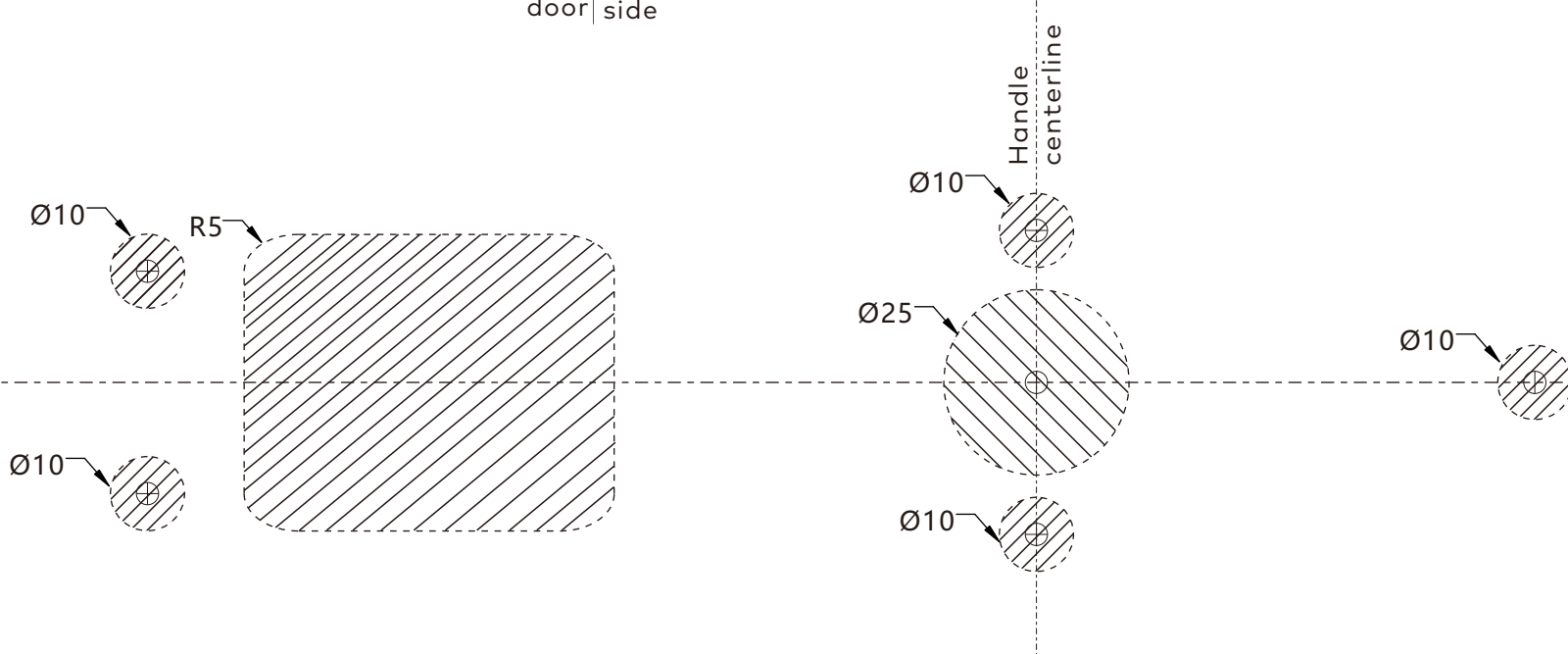
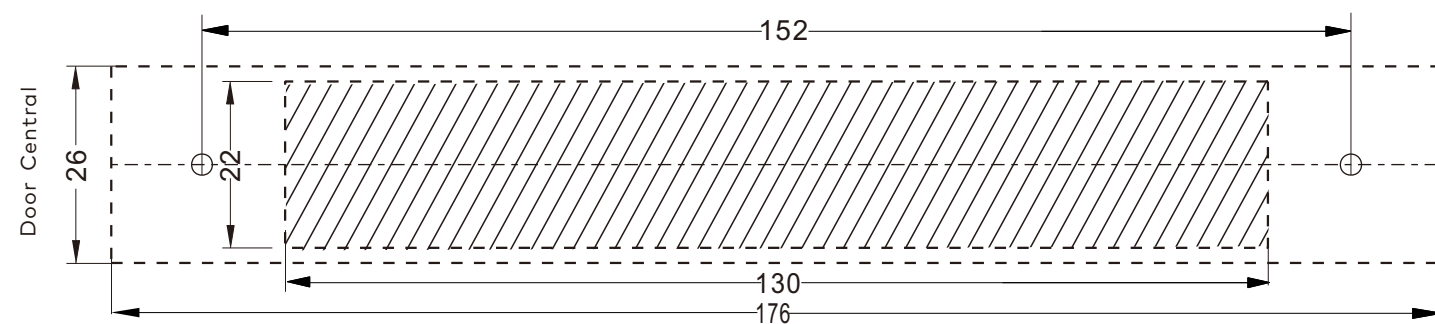
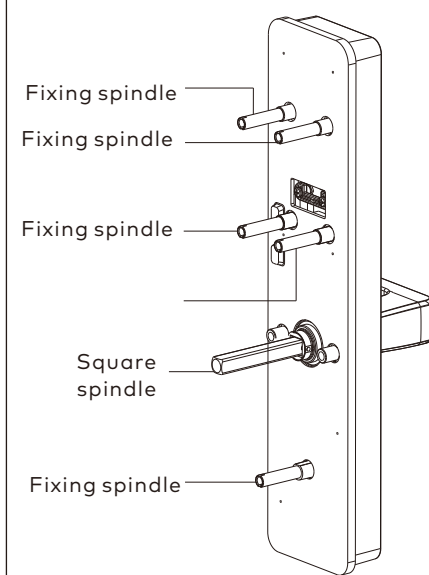
Remove the part, exchange the positions and rotate handles to the direction you want.



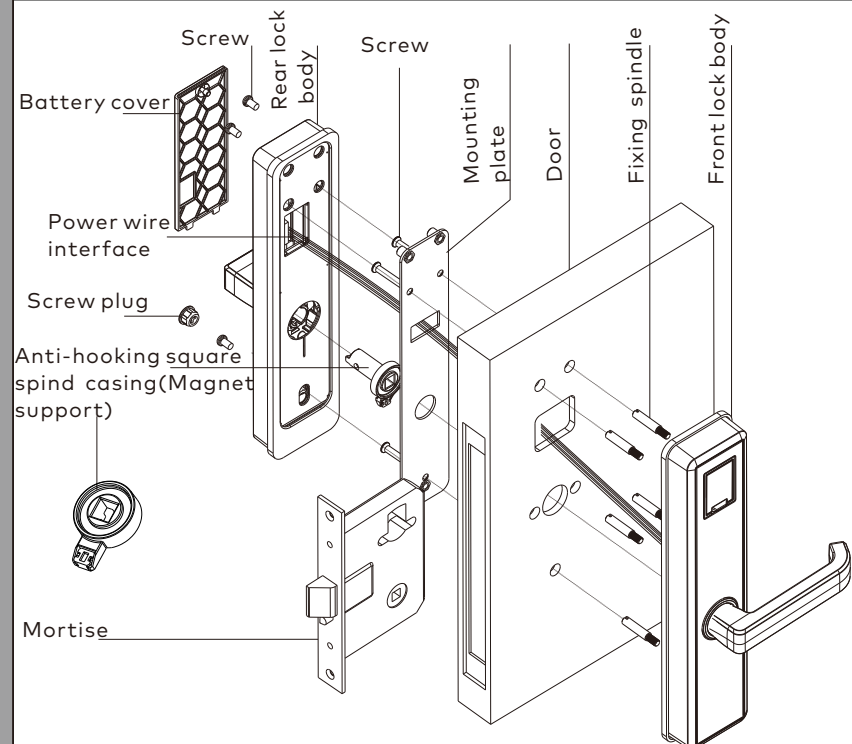
Rear lock face

4 Accessories

Please choose spindles and screws per actual door thickness.



Unit	mm
Scale	1:1
Merlion Australian installation guide	
204040083	



- ① Insert the mortise into the mortise cavity, while guiding the power line through the upper main hold to the outside of the door. Secure the mortise case with the case mounting screws
- ② Line up all the guiding screws and slide the exterior lock body into place, gently feeding the cable through the upper main hold in the door, making sure the exterior lock fits flush against the door. Then insert the spindle through the mortise.
- ③ Connect the cable of exterior lock body with the interior lock assembly. Insert batteries and put back the battery cover.
- ④ Install strike box and strike plate on the door frame, making sure the mortise bolts to be centered in the strike

Installation Precaution

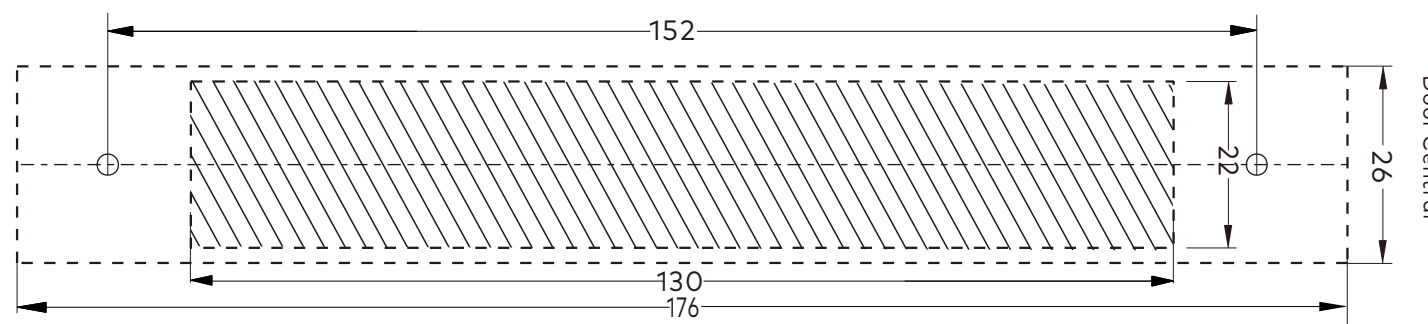
1. Please check your door thickness before installation as the application door thickness of this lock is 35-100mm.
2. Please gently feeding the cable to prevent any damaging and malfunction.
3. Please do not leave any wood chips or other foreign matters in the lock or mortise to prevent malfunction of the lock.
4. Please gently handle the lock during installation to protect the surface from scratches.
5. Please test the lock per the users' manual after installation until it works normally.

Installation Tools

Tools used during installation:

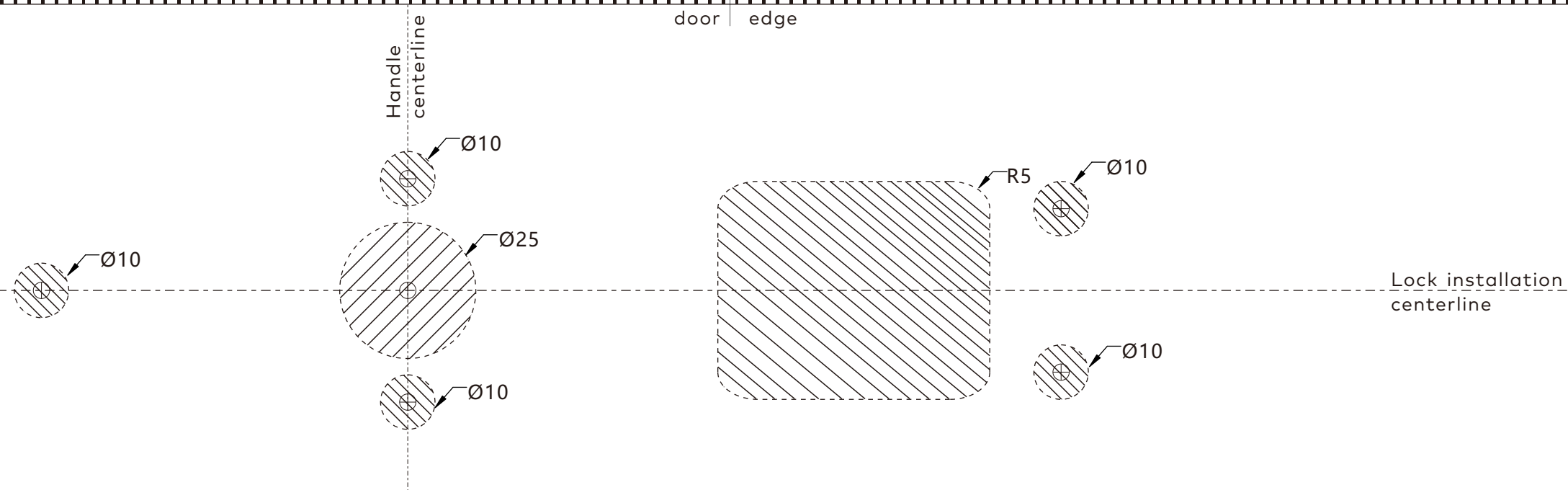
- Measuring tape
- Pencil
- Drill
- Hammer
- Chisel
- Cutter
- Screwdriver
- Cutting machine
- Drill Ø10
- Drill Ø25

Notes: Pictures in this installation template are for reference only.



door edge

Unit	mm	Scale	1:1
	mm		
Merlion Australian installation guide			
204040083			



door edge

